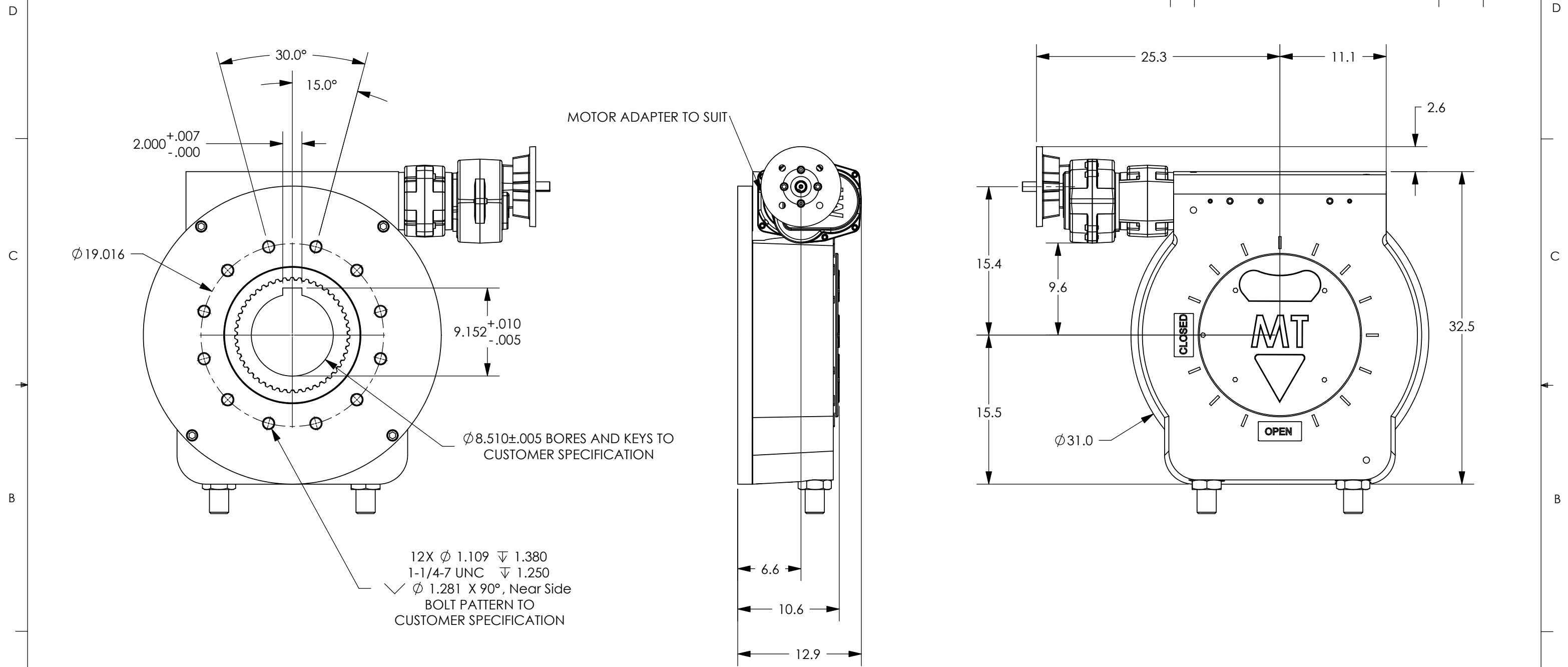


REVISIONS			
REV.	DESCRIPTION	DATE	APPROVED



- NOTES:
- FINAL RATIO RANGE: 28.25 : 1 - 1068 : 1
BASE RATIO: 28.25 : 1, BASE SPUR RATIO: 3 : 1, AUXILLIARY SPUR RATIO RANGE: 3.75 : 1 - 12.6 : 1
 - MAX BORE & KEY: $\phi 9$ W/1" X 2 1/2" KEY
 - MAX STEM ENGAGEMENT: 10 1/4"
 - APPROXIMATE WEIGHT: 1436 LBS
 - UNIT IS SHOWN IN THE "OPEN" POSITION

PROPRIETARY AND CONFIDENTIAL
 THE INFORMATION CONTAINED IN THIS DRAWING IS THE SOLE PROPERTY OF MAX TORQUE. ANY REPRODUCTION IN PART OR AS A WHOLE WITHOUT THE WRITTEN PERMISSION OF MAX TORQUE IS PROHIBITED.

UNLESS OTHERWISE SPECIFIED:	
DIMENSIONS ARE IN INCHES	
TOLERANCES:	
FRACTIONAL $\pm 1/32$	
ANGULAR: MACH $\pm 1/2$	
BEND $\pm 1/2$	
TWO PLACE DECIMAL $\pm .02$	
THREE PLACE DECIMAL $\pm .005$	
MATERIAL:	N/A
FINISH:	PAINT
DO NOT SCALE DRAWING	

NAME	DATE
JM	7/5/06
DRAWN	
CHECKED	
ENG APPR.	
MFG APPR.	
Q.A.	
COMMENTS:	



TITLE: BW4, BS3, AX, & MTR FLANGE 480K TO 800K IN-LBS		
SIZE	DWG. NO.	REV.
B	300113	
SCALE: 1:10		WT: 1436 lbs
SHEET 1 OF 1		

Wednesday, July 05, 2006 11:28:23 AM