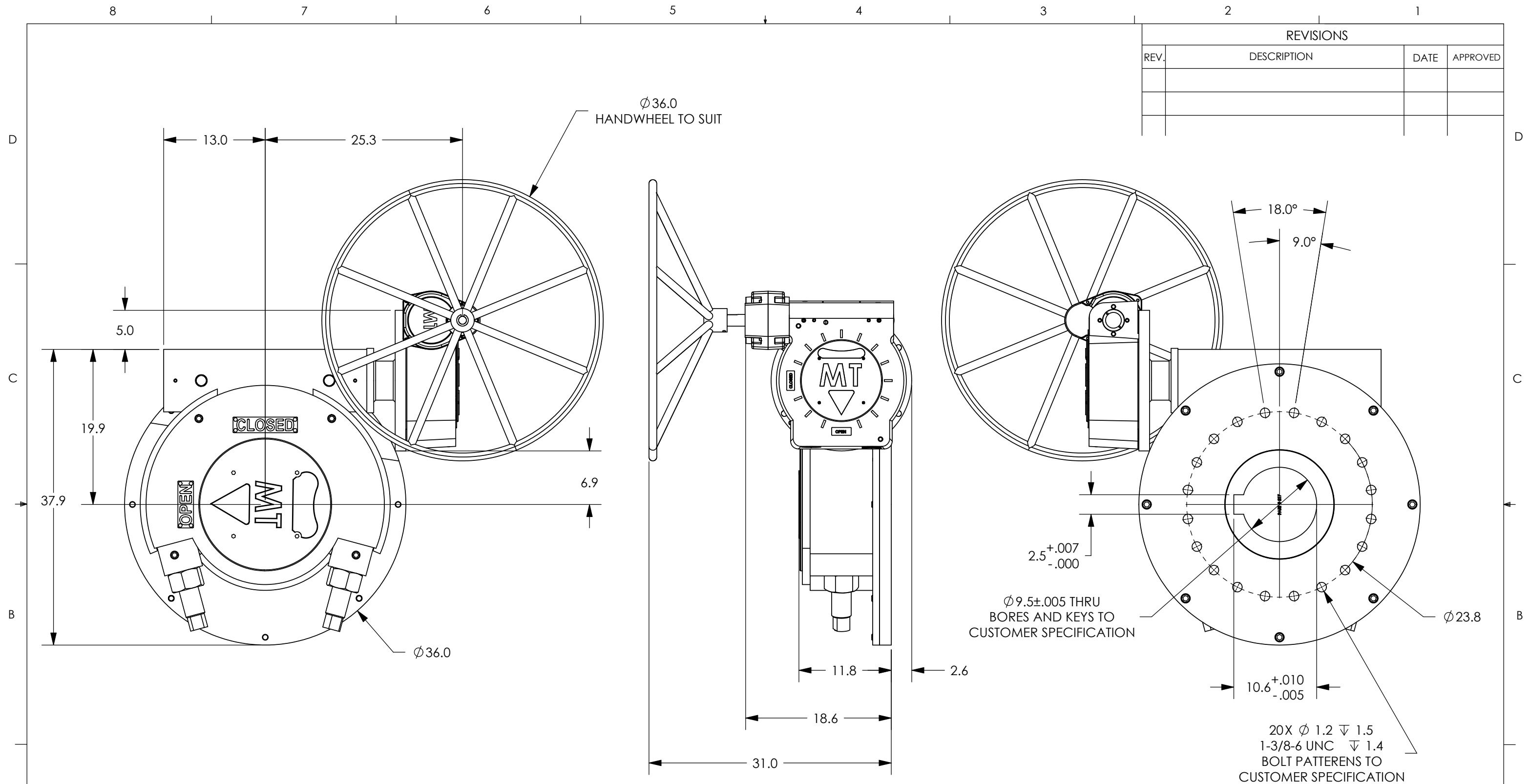


REVISIONS			
REV.	DESCRIPTION	DATE	APPROVED




NOTES:

- FINAL RATIO: 1321.3 : 1  
BASE RATIO: 21.75 : 1, WORM GEAR REDUCER RATIO: 20.25 : 1, BASE SPUR RATIO: 3 : 1
- MAX BORE & KEY:  $\phi 10$  W/2 1/2" X 2" KEY
- MAX STEM ENGAGEMENT: 15 3/4"
- APPROXIMATE WEIGHT: 2038 LBS
- UNIT IS SHOWN IN THE "OPEN" POSITION

**PROPRIETARY AND CONFIDENTIAL**  
THE INFORMATION CONTAINED IN THIS DRAWING IS THE SOLE PROPERTY OF MAX TORQUE. ANY REPRODUCTION IN PART OR AS A WHOLE WITHOUT THE WRITTEN PERMISSION OF MAX TORQUE IS PROHIBITED.

UNLESS OTHERWISE SPECIFIED:	
DIMENSIONS ARE IN INCHES	
TOLERANCES:	
FRACTIONAL $\pm 1/32$	
ANGULAR: MACH $\pm 1/2$	
BEND $\pm 1/2$	
TWO PLACE DECIMAL $\pm .02$	
THREE PLACE DECIMAL $\pm .005$	
MATERIAL:	N/A
FINISH:	PAINT
DO NOT SCALE DRAWING	

NAME	DATE
JM	7/7/06
DRAWN	
CHECKED	
ENG APPR.	
MFG APPR.	
Q.A.	
COMMENTS:	

**MAXTORQUE** 

TITLE: **MW1 MANUAL GENERIC**  
1000K TO 1500K IN-LBS

SIZE	DWG. NO.	REV.
<b>B</b>	300114	

SCALE: 1:12 WT: 2038 lbs SHEET 1 OF 1

Thursday, July 27, 2006 8:53:18 AM